

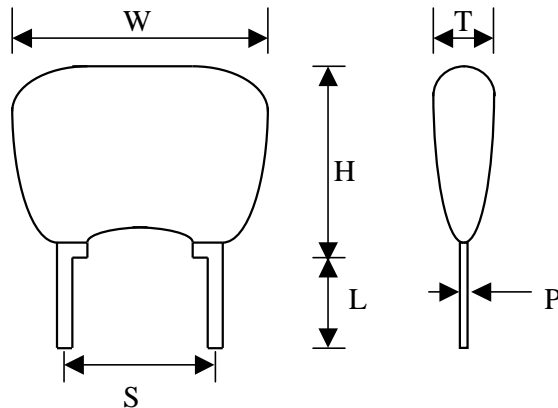
QUARTECH

MHZ OF CERAMIC RESONATOR

ELECTRIC CHARAC

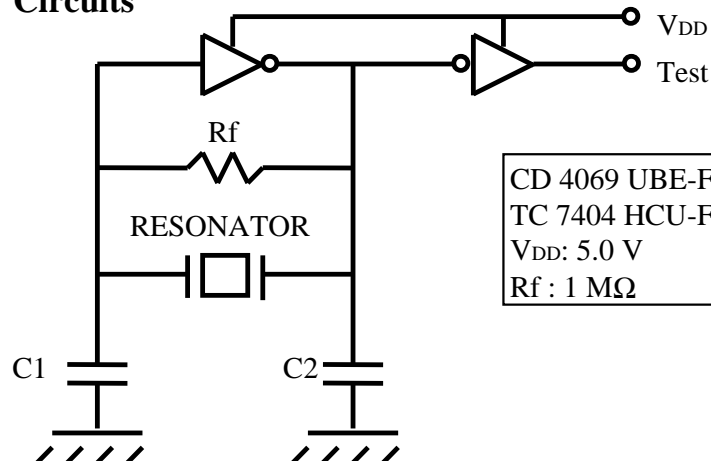
Frequency Range		1.8~20MHz	20.01~25.99MHz	26.0~50MHz
External Capacitance	C1	30 pf	15 pf	5 pf
	C2	30 pf	15 pf	5 pf
Initial Tolerance of Frequency		± 0.5 %	± 0.5 %	± 0.5 %
Operating Temperature		-20 TO +80°C	20 TO +80°C	-20 TO +80°C
Frequency Stability of Temp.		± 0.3 %	± 0.3 %	± 0.3 %
Anging For 10 Yeras		± 0.3 %	± 0.3 %	± 0.3 %

DIMENSIONS (mm)



TYPE	W	H	T	L	S	P
1.8~20MHz	10.0 max.	8.0 max.	5.0 max.	5.0 ± 1.0	5.0 ± 0.3	0.2 ± 0.05
20.01~25.99MHz	10.0 max.	8.0 max.	5.0 max.	5.0 ± 1.0	5.0 ± 0.3	0.2 ± 0.05
26.0~50MHz	10.0 max.	8.0 max.	5.0 max.	5.0 ± 1.0	5.0 ± 0.3	0.2 ± 0.05

* Test Circuits



CD 4069 UBE-Freq.: 1.8 to 12.0MHz
 TC 7404 HCU-Freq.: 12 to 50.0MHz
 V_{DD} : 5.0 V
 R_f : 1 M Ω