

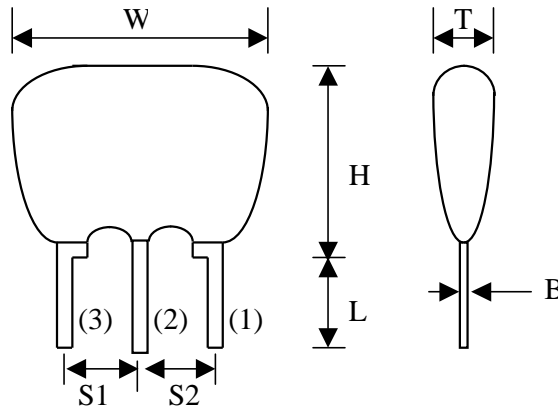
# QUARTECH

## MHZ ( 3PIN ) OF CERAMIC RESONATOR

### ELECTRIC CHARAC

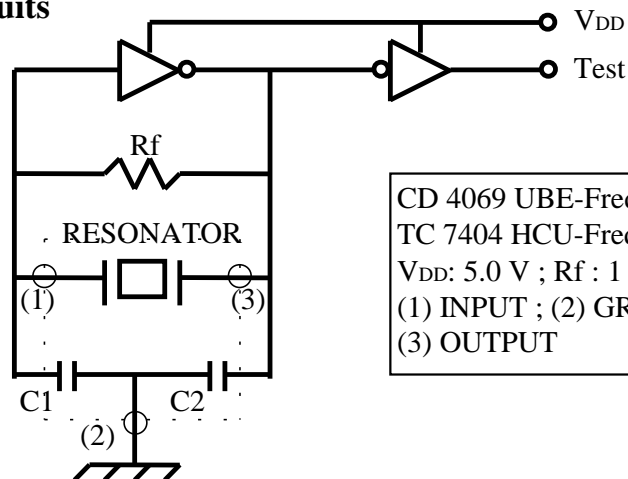
<b>Frequency Range</b>		1.8~20MHz	20.01~25.99MHz	26.0~50MHz
<b>External Capacitance</b>	<b>C1</b>	30 pf	15 pf	5 pf
	<b>C2</b>	30 pf	15 pf	5 pf
<b>Frequency Accuracy(25°C)</b>		± 0.5 %	± 0.5 %	± 0.5 %
<b>Operating Temperature</b>		-20 TO +80°C	20 TO +80°C	-20 TO +80°C
<b>Stability of Temp.(-20TO+80°C)</b>		± 0.3 %	± 0.3 %	± 0.3 %
<b>Anging For 10 Yeras</b>		± 0.3 %	± 0.3 %	± 0.3 %

### DIMENSIONS ( mm )



TYPE	W	H	T	L	S1	S2	B
1.8~20MHz	10.0max.	8.0max.	5.0max.	5.0 ± 1.0	2.5 ± 0.1	2.5 ± 0.1	0.2±0.05
20.01~25.99MHz	10.0max.	8.0max.	5.0max.	5.0 ± 1.0	2.5 ± 0.1	2.5 ± 0.1	0.2±0.05
26.0~50MHz	10.0max.	8.0 max.	5.0max.	5.0 ± 1.0	2.5 ± 0.1	2.5 ± 0.1	0.2±0.05

### \* Test Circuits



CD 4069 UBE-Freq.: 1.8 to 12.0MHz  
 TC 7404 HCU-Freq.: 12 to 50.0MHz  
 V<sub>DD</sub>: 5.0 V ; R<sub>f</sub>: 1 MΩ  
 (1) INPUT ; (2) GROUND ;  
 (3) OUTPUT